

FEATURES

- Wide LCD backlight display
- Instrument operated by a rotation "Encoder"
- 2 metering pumps with PVDF pump heads
- Flow control input
- pH range: 0-14 pH; Chlorine range: 0-10 mg/l Cl₂
- Chlorine probe (to specify): ECL1; ECL6; ECL12; ECL3S/10.
- Alarms: max dosing time, probe check-up, level, voltage, flow
- N.O. or N.C. digital input
- "Fast" or "full" calibration
- Programmable delay at dosing startup (max 60 minutes)
- pH priority dosage over Chlorine dosage
- Probe check-up
- pH compensation
- Environment working temp.: -10°C - 45°C (14°F - 113°F)
- Power supply 190÷265 VAC; 50/60 Hz
- RS485 output for web control (ERMES)



WDPHCL is an integrated All-in-One Swimming Pool Controller with two metering pumps: for acid (pH) and Chlorine.

It is possible to operate in two different working modes: On/Off or proportional according with the set points.

In On/Off working mode, a "Waiting Time" function let the pumps operate at pulses per minutes for a set time (1 pulse every x minutes) to provide a reaction time.

INPUT:

- Stand-by
- Flow
- pH level
- Chlorine level
- pH probe
- Chlorine probe
- Power supply

OUTPUT:

- pH pump
- Chlorine pump
- Alarm output



CONFIGURATION

| MODELS |
|---------------------|
| 0310 |
| SELF-VENTING MODELS |
| 0307 |

| POWER SUPPLY | |
|--------------|----------------------|
| 00 | 230 VAC Schuko plug |
| 01 | 230 VAC without plug |
| 03 | 115 VAC US plug |

Model

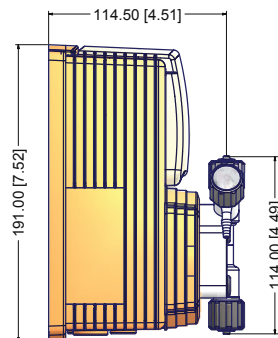
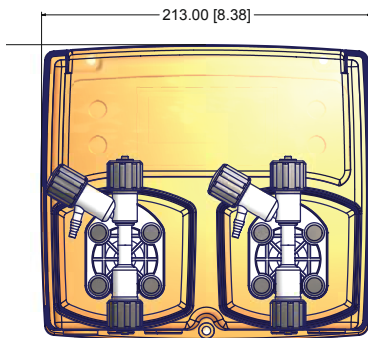
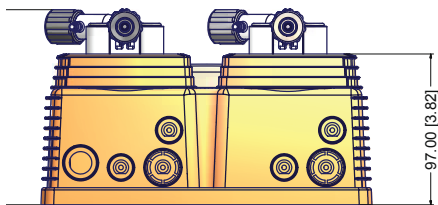
WHL 0310 1 00 00 000

| LIQUID ENDS | | | | | | | | |
|-------------|------|--------|--------|---------|-----------|----------|---------|----------------------|
| | Head | Orings | Valves | | Diaphragm | Hoses | | Viscosity Max CPS |
| | | | Body | Balls | | Delivery | Suction | |
| 1 | PVDF | Viton® | PVDF | Ceramic | PTFE | PE | PVC | 100 |
| 2 | PVDF | EPDM | PVDF | Ceramic | PTFE | PE | PVC | 100 |

Viton® is a registered trademark of DuPont Dow Elastomers.

Important operational messages easily recognizable by the different background colors of the display

| INFORMATION | | | | |
|--------------------|-----------------|-------------------|-------------------|----------------------|
| MODEL | Stroke speed | | Power consumption | Weight |
| | Min stroke hour | Max stroke minute | | |
| 0310 | 1 | 180 | 32 Watt | 3.0 Kg (6.61 Lbs) |
| SELF-VENTING MODEL | | | | |
| 0310 | 1 | 180 | 32 Watt | 3.0 Kg (6.61 Lbs) |



| MORE INFORMATION | | | | | | |
|--------------------|------|------|---------------|---------------|--------------|-----|
| MODEL | Flow | | Stroke/minute | cc per stroke | Max pressure | |
| | l/h | GPH | | | bar | PSI |
| 0310 | 10 | 2,64 | 180 | 0,93 | 03 | 44 |
| SELF-VENTING MODEL | | | | | | |
| 0307 | 07 | 1,85 | 180 | 0,65 | 03 | 44 |