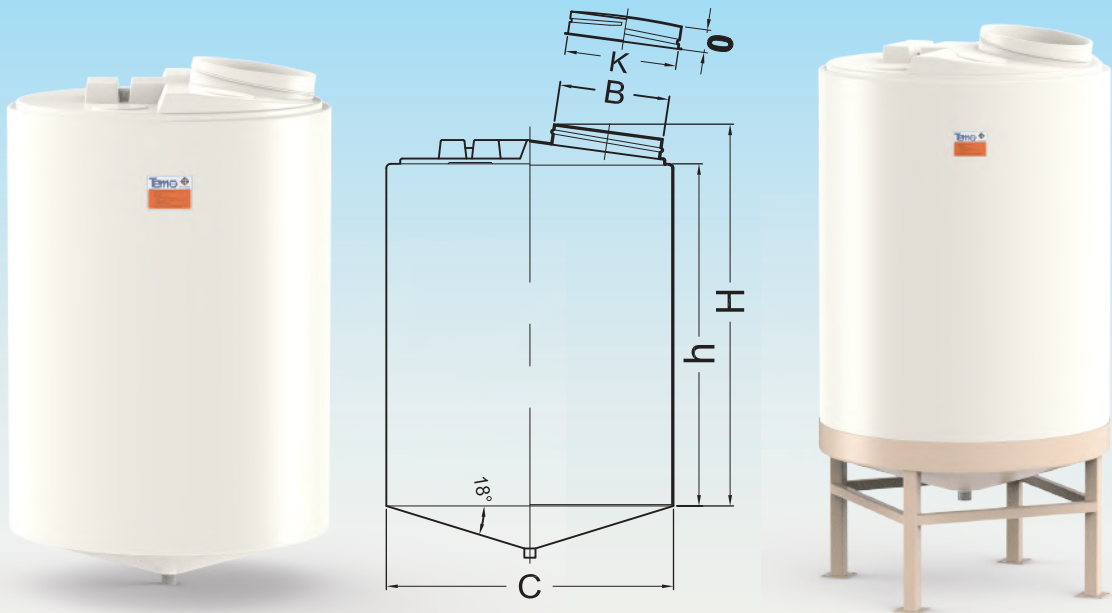


Conical Bottom-Shaped Tank

CENB-E



TIS 1379-2551



Part Number	Tank						Lid				Approx. Total Weight (kg)	
	Capacity (Litre)	Approx. Dimension (mm)					Part Number	Approx. Dimension (mm)				
	B	C	H	h	Thk.	K		O	Thk.			
CENB100E-M116	100	150	500	660	575	3.5	CT0150B-HX29	150	40	2.0	5.0	
CENB100E-M117						4.0					6.0	7.0
CENB100E-M118						6.0						
CENB100E-M9X6						7.5						
CENB200E-M120	200	150	650	750	670	3.5	CT0150B-HX29	150	40	2.0	10.0	
CENB200E-M122						4.0						
CENB200E-M128						6.0						
CENB200E-M133						7.5						
CENB500E-M131	500	395	870	1,040	915	4.5	CT0395A-M1X8	395	90	3.0	20.0	
CENB500E-M133						5.0						
CENB500E-M136						5.5						
CENB500E-M145						7.5						
CENB1K0E-M146	1,000	395	1,030	1,540	1,390	5.5	CT0395A-M1X8	395	90	3.0	35.0	
CENB1K0E-M140						7.5						
CENB1K0E-M163						9.5						
CENB1K0E-M178						10.0						
CENB1K5E-M162	1,500	395	1,300	1,430	1,280	5.5	CT0395A-M1X8	395	90	3.0	51.0	
CENB1K5E-M167						6.0						
CENB1K5E-M176						7.0						
CENB1K5E-M104						10.0						
CENB2K0E-M176	2,000	395	1,300	1,800	1,650	6.0	CT0395A-M1X8	395	90	3.0	63.0	
CENB2K0E-M187						7.0						
CENB2K0E-M198						8.0						
CENB2K0E-M210						10.0						
CENB2K5E-M181	2,500	395	1,300	2,050	1,900	6.0	CT0395A-M1X8	395	90	3.0	70.0	
CENB2K5E-M193						7.0						
CENB2K5E-M106						8.0						
CENB2K5E-M229						10.0						
CENB3K0E-M191	3,000	395	1,300	2,550	2,400	6.0	CT0395A-M1X8	395	90	3.0	80.7	
CENB3K0E-M203						7.0						
CENB3K0E-M216						8.0						
CENB3K0E-M242						10.0						

NOTE: 1. Prices are exclusive of 7% VAT and subject to change without prior notice.
2. Specifications may change without prior notice.