

Tema cartridge housings offer outstanding durability and corrosion resistance for wide variety of industrial and commercial applications. Constructed from stainless steel 304 or 316L, these housings accept a wide variety of cartridge types. This gives the user flexibility to choose the number, type and size of cartridges needed for chemical compatibility and particle retention.



Specification

- material is made of SUS 304 or SUS 316
- maximum working pressure ranges from 100 psi to 150 psi
- non-single element fixed or single element fixed type
- polished or matte finish surface

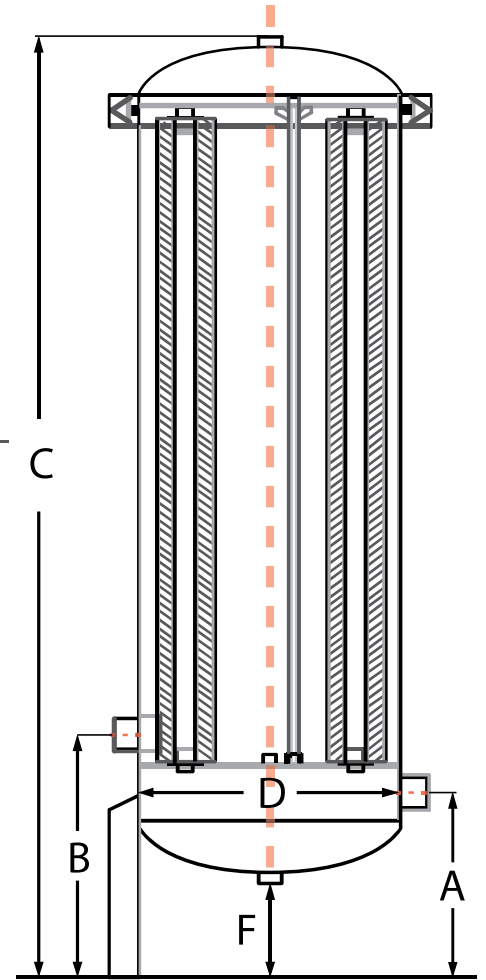
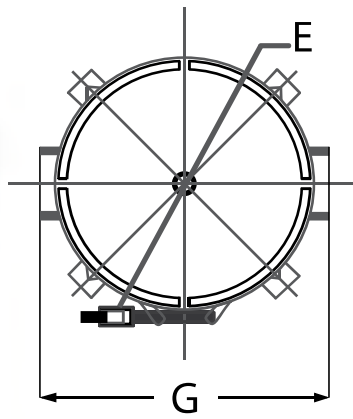
Features

- well-sealed, easy operation
- high filtration efficiency
- filter cartridge can be easily replaced
- premium quality, long-life use

Applications

- Water
- General Industrial
- Chemical
- Oil and Gas
- Commercial





- Material : SUS304, SUS316
- Maximum working pressure : 100 psi
- Surface finish : polished finish surface, matt finish surface

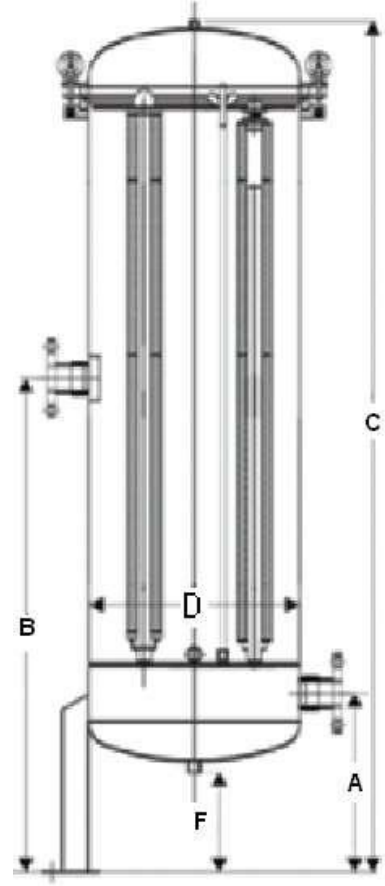
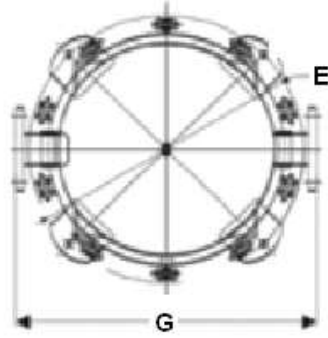
Technical Parameter

t	d	e	f	i	E	m	n	p 9v	i
f m B 7 E B=	AL=	BL=	I C=	ALE	BE=	A=	BF=	A7A9B	A9B
f m B 7 E D=	AL=	BL=	ACG=	ALE	BE=	A=	BF=	B	A9B
f m B 7 G B=	BB=	CA=	I D=	BC=	C=	A=	CA=	B	A9B
f m B 7 G D=	BB=	CA=	ACI =	BC=	C=	A=	CA=	B7A9B	A9B

4d f m B C=D 8 CAFs 8



r



Specification

- Material : SUS304, SUS316L
- Maximum working pressure : 150 psi
- Surface finish : polished finish surface, matt finish surface

Technical Parameter

t	d	e	f	i	E	m	n	p 9v	i
f m D7 G D=	C=	l =	AEE=	BC=	BE=	AE=	CL=	B	A9B
f m D7 AA D=	CF=	L=	AFB=	C=	C=	B=	DD=	C	C9D
f m D7 AE D=	Cl =	L=	AFF=	CBE	CE=	B=	EC=	C	C9D
f m D7 AL D=	D=	L=	AG=	CGG	D=	B=	EF=	D	C9D
f m D7 BG D=	DF=	A=	AGG=	DE=	DE=	BE=	FC=	D	C9D

4d

f m D

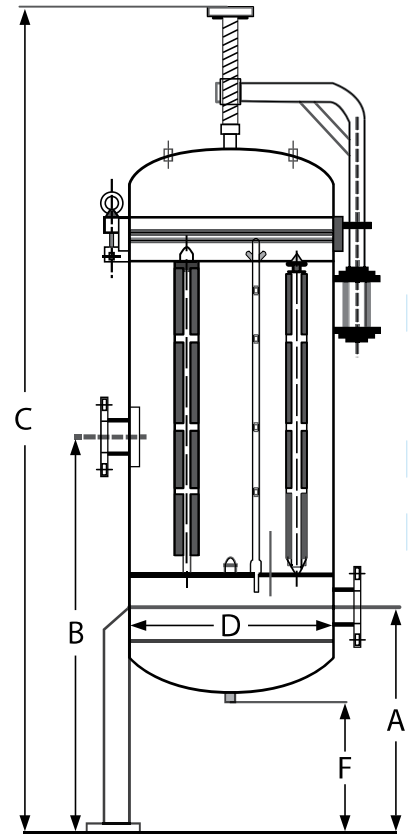
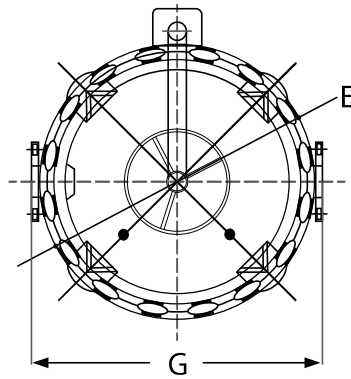
C=D

8

CAF5

8

S



Specification

- Material : SUS304, SUS316L
- Maximum working pressure : 150 psi
- Surface finish : polished finish surface, matt finish surface

Technical Parameter with

t	d	e	f	i	E	m	n	p 9v	i
f m E 7 B G D =	D =	AA =	ALC =	DE =	DE =	BE =	FA =	D	C 9D
4d	f m E	C=D	8	CAF			8		

Model Specification

Ex: CFS2 - E5S20

